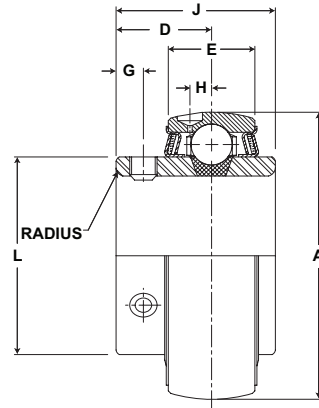




Duty: Standard
Rolling Elements: Ball
Lock: Setscrew
Seal: Felt
Optional Seal: Contact
Temperature: -20° to 220°F



Standard Duty Bearing Insert – Setscrew

BORE DIAMETER		PART No.	BASIC DYNAMIC RATING lb/N	DIMENSIONS inch / mm							MAX RAD. TO CLEAR	SETSCREW THREAD	UNIT Wt. lb/kg
inch	mm			A	D	E	G	H	J	L			
1/2	20	2-08	2611 11614	1.8504 47	23/32 18.3	5/8 15.9	3/16 4.8	1/8 3.2	1 7/32 31.0	1 3/16 30.2	.040 1.02	1/4-28	.5 .23
9/16		2-09											
5/8		2-010											
11/16		2-011											
3/4		2-012 5204											
13/16	25	2-013	2801 12459	2.0472 52	13/16 20.6	11/16 17.5	7/32 5.6	11/64 4.4	1 3/8 34.9	1 3/8 34.9	.040 1.02	1/4-28	.6 .27
7/8		2-014											
15/16		2-015											
1		2-1 5205											
1 1/16		2-11											
1 1/8	30	2-12	4381 19487	2.4409 62	7/8 22.2	7/8 22.2	7/32 5.6	7/32 5.6	1 1/2 38.1	1 19/32 40.5	.040 1.02	1/4-28	1.0 .45
1 3/16		2-13											
1 1/4		1-14 5206											
1 1/4		2-14											
1 5/16		2-15											
1 3/8	35	2-16	5782 25718	2.8316 72	1 25.4	15/16 23.8	1/4 6.4	1/4 6.4	1 11/16 42.9	1 55/64 47.2	.040 1.02	5/16-24	1.5 .68
1 7/16		2-17 5207											
1 1/2		2-18											
1 9/16		2-19 5208											
1 5/8		2-110											
1 11/16	45	2-111	7901 35144	3.3465 85	1 3/16 30.2	1 3/32 27.8	5/16 7.9	19/64 7.5	1 15/16 49.2	2 19/64 58.3	.062 1.57	5/16-24	2.2 1.00
1 3/4		2-112 5209											
1 13/16		2-113											
1 7/8		2-114											
1 15/16		2-115											
2	50	1-2 5210	7889 35090	3.5433 90	1 9/32 32.5	1 1/8 28.6	3/8 9.5	17/64 6.7	2 1/32 51.6	2 15/32 62.7	.062 1.57	3/8-24	2.4 1.09
2		2-2											
2 1/8		2-22											
2 3/16		2-23 5211											
2 1/4		2-24											
2 3/8	60	2-26	11789 52437	4.3307 110	1 9/16 39.7	1 1/4 31.8	7/16 11.1	21/64 8.3	2 9/16 65.1	2 63/64 75.8	.080 2.03	3/8-24	3.7 1.68
2 7/16		2-27 5212											
2 11/16		2-211											
2 7/8		2-214											
2 15/16		2-215 5215											
3 3/16	80	2-33	17412 77449	5.5118 140	1 15/16 49.2	1 11/16 42.9	17/32 13.5	13/32 10.3	3 1/4 82.6	3 59/64 99.6	.120 3.05	7/16-20	7.2 3.27
3 1/4		2-34											
3 3/8		2-36											
3 7/16		2-37											
3 1/2		2-38 5218											
3 1/2	90	2-38	21566 95926	6.2992 160	2 7/32 56.4	2 50.8	5/8 15.9	15/32 11.9	3 25/32 96.0	4 25/64 111.5	.120 3.05	1/2-20	11.7 5.31